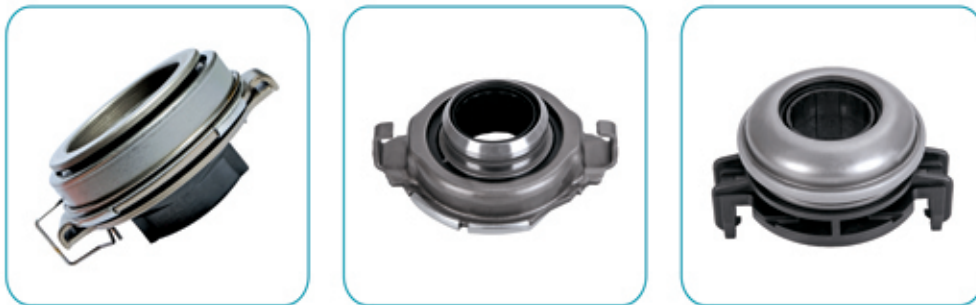


# 离合器分离轴承 Clutch Release Bearings



FAVORABLE FOUNDATIONS BRING FUTURE SUCCESS  
基础创造未来



## Mechanical clutch Release Bearing

|   |  |   |   |
|---|--|---|---|
| <p>型号: RAC 2002</p>    | <p><b>OEM REF.</b><br/>088141165A/B/C<br/>113141165A/B<br/>091141165A/B/D</p> <p><b>OTHER REF.</b><br/>SKF VKC2091<br/>INA F-203222.5</p> <p><b>APPLICATION</b><br/>AUDI VW</p>  | <p>型号: RAC 2003</p>    | <p><b>OEM REF.</b><br/>01E141165A/B/C<br/>012141165A/B/C/D/E/F</p> <p><b>OTHER REF.</b><br/>SKF VKC2601<br/>LUK 500032211</p> <p><b>APPLICATION</b><br/>AUDI VW FORD</p>  |
| <p>型号: RAC 2005</p>    | <p><b>OEM REF.</b><br/>90363-38084<br/>90363-38019<br/>MD701241<br/>MD701283<br/>09269-38001<br/>9-00095-035</p> <p><b>OTHER REF.</b><br/>SKF VKC3505<br/>LUK 500022760</p> <p><b>APPLICATION</b><br/>DAIHATSU TOYOTA SUBARU</p> | <p>型号: RAC 2006</p>    | <p><b>OEM REF.</b><br/>90043-63002</p> <p><b>OTHER REF.</b><br/>SKF VKC3509<br/>LUK 500030260</p> <p><b>APPLICATION</b><br/>DAIHATSU SUZUKI</p>   |
| <p>型号: RAC 2007</p>  | <p><b>OEM REF.</b><br/>31230-87702<br/>31230-87703<br/>31230-87704<br/>31230-87705<br/>31230-87506<br/>31230-87507</p> <p><b>OTHER REF.</b><br/>SKF VKC3578<br/>LUK 500043360</p> <p><b>APPLICATION</b><br/>DAIHATSU TOYOTA</p>  | <p>型号: RAC 2009</p>  | <p><b>OEM REF.</b><br/>1209160725</p> <p><b>OTHER REF.</b><br/>SKF VKC2240<br/>SACHI 3151093041</p> <p><b>APPLICATION</b><br/>PAYKEN</p>  |
| <p>型号: RAC 2010</p>  | <p><b>OEM REF.</b><br/>113141165B</p> <p><b>OTHER REF.</b><br/>SKF VKC2091A</p> <p><b>APPLICATION</b><br/>AUDI VW</p>  | <p>型号: RAC 2011</p>  | <p><b>OEM REF.</b><br/>09269-28006<br/>09269-28007<br/>959T-92-8004</p> <p><b>OTHER REF.</b><br/>SKF VKC3623<br/>NTN FCR50-35-6/SK<br/>LUK 500058960</p> <p><b>APPLICATION</b><br/>SUZUKI</p>   |
| <p>型号: RAC 2012</p>  | <p><b>OEM REF.</b><br/>B315-16-510</p> <p><b>OTHER REF.</b><br/>SKF VKC3602<br/>NTN FCR47-8-3/2E</p> <p><b>APPLICATION</b><br/>KIA 1.3/1.5/1.6<br/>MAZDA 1.3/1.5/1.6/1.8</p>   | <p>型号: RAC 2013</p>  | <p><b>OEM REF.</b><br/>41410-11000<br/>41421-21000<br/>41421-21300<br/>41421-21400<br/>41421-26000<br/>MD706180</p> <p><b>OTHER REF.</b><br/>SKF VKC3515<br/>NSK 48TKA3201U3<br/>LUK 500023710</p> <p><b>APPLICATION</b><br/>HYUNDAI SONATA ELANTRA</p> |

### Mechanical clutch Release Bearing

型号: RAC 2014



**OEM REF.**  
H606-16-510

**OTHER REF.**  
SKF VKC3507  
NTN FCR54-46-2/2  
LUK 500023560

**APPLICATION**  
MAZDA 1.6/1.8/2.0/2.2/3.0

型号: RAC 2015



**OEM REF.**  
30502-52A60

**OTHER REF.**  
SKF VKC3555  
NSK 48TKA3301  
LUK 500046460

**APPLICATION**  
NISSAN

型号: RAC 2016



**OEM REF.**  
MD703270

**OTHER REF.**  
SKF VKC3592  
NTN FCR55-1/2E  
LUK 500030460

**APPLICATION**  
MITSUBISHI 2.0/2.3/2.6

型号: RAC 2017




**OEM REF.**  
2041.61  
2041.50  
2041.64  
9614677380

**OTHER REF.**  
SKF VKC2516  
LUK 500074210

**APPLICATION**  
PEUGEOT 206/306/406/806

型号: RAC 2018



**OEM REF.**  
0201411658/H

**OTHER REF.**  
SKF VKC2195  
INA F-201769  
LUK 500024911

**APPLICATION**  
AUDI-VW SEAT SKODA

型号: RAC 2019



**OEM REF.**  
8-94101-243-0

**OTHER REF.**  
SKF VKC3554  
NSK 48TKA3214  
LUK 500051960

**APPLICATION**  
ISUZU

型号: RAC 2020



**OEM REF.**  
30502-M8000

**OTHER REF.**  
SKF VKC3560  
NTN FCR62-26-5/2E  
LUK 500029660

**APPLICATION**  
NISSAN 1.4/1.5/1.6/1.8/2.0

型号: RAC 2021



**OEM REF.**  
30502-52A60

**OTHER REF.**  
SKF VKC3555  
LUK 500046460

**APPLICATION**  
NISSAN

型号: RAC 2022



**OEM REF.**  
ME600576  
ME600340  
ME602710

**OTHER REF.**  
SKF VKC3559  
NSK 58TKA3703B  
LUK 500068060

**APPLICATION**  
HYUNDAI 2.4/2.5  
MITSUBISHI 3.0

型号: RAC 2023



**OEM REF.**  
41421-43010  
MD719469  
MR159689

**OTHER REF.**  
SKF VKC3579  
NTN FCR55-17/2E  
LUK 500041660

**APPLICATION**  
HYUNDAI MITSUBISHI

### Mechanical clutch Release Bearing

型号: RAC 2024



**OEM REF.**  
31230-32060

**OTHER REF.**  
SKF VKC3584  
NSK 60TKB3502  
LUK 500069560

**APPLICATION**  
TOYOTA 1.8/ 2.0/2.2/

型号: RAC 2025



**OEM REF.**  
96564141  
23265-78800

**OTHER REF.**  
SKF VKC3675

**APPLICATION**  
DAEWOO MATIZ

型号: RAC 2025B



**OEM REF.**  
41421-02000

**OTHER REF.**  
SKF VKC3673  
LUK 500109010

**APPLICATION**  
HYUNDAI

型号: RAC 2026



**OEM REF.**  
22810-PG2-000

**OTHER REF.**  
SKF VKC3577  
LUK 500049260

**APPLICATION**  
HONDA 1.6/1.8/2.0/2.3/2.5/2.7

型号: RAC 2027



**OEM REF.**  
41421-43020

**OTHER REF.**  
SKF VKC3579  
NTN FCR55-17/2E  
LUK 500041660

**APPLICATION**  
MITSUBISHI HYUNDAI

型号: RAC 2028



**OEM REF.**  
8-94453-348-0  
8-94379-499-0

**OTHER REF.**  
SKF VKC3606  
KOYO RCT4225A1  
LUK 500064060

**APPLICATION**  
ISUZU ELF NHS 1.5T 91-  
FARGO NFR/NFS WFR/WFS 89-

型号: RAC 2029



**OEM REF.**  
8-94109-658-0

**OTHER REF.**  
SKF VAC3574  
KOYO RCT4325A1

**APPLICATION**  
ISUZU

型号: RAC 2030



**OEM REF.**  
09269-35004  
09269-33001  
09269-33002  
23265-85200

**OTHER REF.**  
SKF VKC3564  
NSK 50TKE3301  
LUK 500051260

**APPLICATION**  
SUZUKI 1.0/1.3/1.6/1.8

型号: RAC 2031



**OEM REF.**  
09269-28005/4

**OTHER REF.**  
SKF VKC3567  
KOYO RCT2835A  
LUK 500032560

**APPLICATION**  
SUZUKI

型号: RAC 2033



**OEM REF.**  
8531-16-510  
E301-16-510

**OTHER REF.**  
SKF VKC3568  
NTN FCR50-1/2E  
LUK 500025360

**APPLICATION**  
MAZDA

**Mechanical clutch Release Bearing**

型号: RAC 2034



**OEM REF.**  
31230-12090  
31230-12100  
31230-12110  
31230-12120  
31230-12130  
31230-12140

**OTHER REF.**  
SKF VKC3556  
KOYO RCT3375A3-1  
LUK 500043760

**APPLICATION**  
TOYOTA 1.3/1.4/1.5/1.6

型号: RAC 2035



**OEM REF.**  
41421-28000

**OTHER REF.**  
SKF VKC3666  
LUK 500037560

**APPLICATION**  
HYUNDAI

型号: RAC 2036



**OEM REF.**  
FE82-16-510A  
FE84-16-510A  
G560-16-510B  
G561-16-510A  
N309-16-510

**OTHER REF.**  
SKF VKC3600  
NTN FCR54-33-1/2F  
LUK 500049760

**APPLICATION**  
KIA 1.8/2.0/2.5/2.7  
MAZDA 1.6/1.8/2.0/2.2/3.0/  
HONDA

型号: RAC 2037



**OEM REF.**  
96181631  
90251210

**OTHER REF.**  
SKF VKC2238  
NSK 50TKA3805  
LUK 500032110

**APPLICATION**  
OPEL DAEWOO

型号: RAC 2038



**OEM REF.**  
31230-35070

**OTHER REF.**  
SKF VKC3615  
LUK 500053660

**APPLICATION**  
TOYOTA 2.2/2.4/2.7

型号: RAC 2039



**OEM REF.**  
OK2A1-16-510A

**OTHER REF.**  
SKF VKC3602  
KOYO CBU472921

**APPLICATION**  
KIA pride MAZDA

型号: RAC 2040



**OEM REF.**  
2108-1601180  
2108-1601182

**OTHER REF.**  
SKF VKC2247  
LUK 500043920

**APPLICATION**  
LADA 1.1/1.3/1.5

型号: RAC 2041



**OEM REF.**  
2101-1601180  
2101-1601182

**OTHER REF.**  
SKF VKC2248  
LUK 500031930

**APPLICATION**  
LADA NIVA

型号: RAC 2042



**OEM REF.**  
2110-1601180

**OTHER REF.**  
SKF VKC2536  
LUK 500063810

**APPLICATION**  
LADA

型号: RAC 2043



**OEM REF.**  
30502-4E122

**OTHER REF.**  
NTN FCR50-1

**APPLICATION**  
NISSAN

**Mechanical clutch Release Bearing**

型号: RAC 2044



**OEM REF.**  
30502-V6200

**OTHER REF.**  
SKF VKC3612  
KOYO RCT4068A2RSE  
LUK 500073060

**APPLICATION**  
NISSAN

型号: RAC 2045



**OEM REF.**  
30502-21000

**OTHER REF.**  
SKF VKC3500  
NSK 40TRK-1  
LUK 500019160

**APPLICATION**  
NISSAN

型号: RAC 2046



**OEM REF.**  
31230-12170

**OTHER REF.**  
SKF VKC3622  
NACHI 50SCRN31P-1  
LUK 500041960

**APPLICATION**  
TOYOTA 1.3/1.5/1.6/1.8

型号: RAC 2047



**OEM REF.**  
ME624678  
ME609370

**OTHER REF.**  
SKF VKC3587  
KOYO RCT47005A

**APPLICATION**  
MITSUBISHI

型号: RAC 2048




**OEM REF.**  
30502-45P00

**OTHER REF.**  
SKF VKC3565  
LUK 500046360

**APPLICATION**  
NISSAN

型号: RAC 2049



**OEM REF.**  
31230-12140

**OTHER REF.**  
SKF VKC3556  
KOYO RCT3375A3  
LUK 500043760

**APPLICATION**  
TOYOTA

型号: RAC 2050



**OEM REF.**  
31230-32060

**OTHER REF.**  
SKF VKC3625  
NSK 60TKB3506R  
LUK 500069360

**APPLICATION**  
TOYOTA

型号: RAC 2051



**OEM REF.**  
02A141165G/A

**OTHER REF.**  
SKF VKC2241  
LUK 500044010

**APPLICATION**  
AUDI-VW SEAT SKODA

型号: RAC 2053



**OEM REF.**  
2110-1601180-01

**OTHER REF.**

**APPLICATION**  
LADA 110/111/112

型号: RAC 2055



**OEM REF.**  
90250658  
90278910  
90250663  
90250658  
668653  
668652

**OTHER REF.**  
SKF VKC2215

**APPLICATION**  
DAEWOO-OPEL

**Mechanical clutch Release Bearing**

型号: RAC 2056

**OEM REF.**  
8-97023-074-0



**OTHER REF.**  
SKF VKC3621

**APPLICATION**  
ISUZU

型号: RAC 2059

**OEM REF.**  
969002514  
002141165C



**OTHER REF.**  
SKF VKC2533  
LUK 500047810

**APPLICATION**  
SKODA VOLKSWAGEN

型号: RAC 2060

**OEM REF.**  
2101-360708KC17



**OTHER REF.**

**APPLICATION**  
LADA

型号: RAC 2061

**OEM REF.**  
7799778  
60805112  
46821336  
60811561  
4409361  
46539189



**OTHER REF.**  
SKF VKC2168  
LUK 500020211

**APPLICATION**  
FIAT

型号: RAC 2063

**OEM REF.**  
30502-45P00



**OTHER REF.**  
SKF VKC3565  
LUK 500046360

**APPLICATION**  
NISSAN

型号: RAC 2064

**OEM REF.**  
8-97089-652-0



**OTHER REF.**  
SKF VKC 3669  
NSK 78TKL4001AR

**APPLICATION**  
ISUZU NPR96-99

型号: RAC 2065

**OEM REF.**  
98671K1



**OTHER REF.**

**APPLICATION**  
LADA

型号: RAC 2067

**OEM REF.**  
90251210  
90251702



**OTHER REF.**  
SKF VKC2238  
LUK 500032110

**APPLICATION**  
OPEL-DAEWOO

型号: RAC 2068

**OEM REF.**  
688645  
90129095



**OTHER REF.**  
SKF VKC2213  
LUK 500025010

**APPLICATION**  
OPEL

型号: RAC 2069

**OEM REF.**  
688634  
688635



**OTHER REF.**  
SKF VKC2186  
LUK 500016610

**APPLICATION**  
OPEL

**Mechanical clutch Release Bearing**

型号: RAC 2070

**OEM REF.**  
90250658  
90278910  
90250663  
90250658  
668653  
668652



**OTHER REF.**  
SKF VKC2215  
LUK 500032010

**APPLICATION**  
DAEWOO OPEL

型号: RAC 2072

**OEM REF.**  
9621805380  
2041.55  
2041.70



**OTHER REF.**  
LUK 500104800

**APPLICATION**  
FIAT 2.0 PEUGEOT 2.0/2.5

型号: RAC 2073

**OEM REF.**  
96252260580



**OTHER REF.**  
SACHI 3151998301

**APPLICATION**  
FIAT

型号: RAC 2074

**OEM REF.**  
0727-16-512A



**OTHER REF.**  
SKF VKC3540

**APPLICATION**  
MAZDA T45

型号: RAC 2075

**OEM REF.**  
30502-03E24  
30502-28E24



**OTHER REF.**  
SKF VKC3610  
NTN FCR62-29-11/2E  
LUK 500048760

**APPLICATION**  
NISSAN

型号: RAC 2076

**OEM REF.**  
30502-03E20  
30502-28E21



**OTHER REF.**  
SKF VKC3581  
NTN FCR62-32-14/2E  
LUK 500048660

**APPLICATION**  
NISSAN 2.2/2.3/2.5/2.7/3.0

型号: RAC 2077

**OEM REF.**  
31230-36150



**OTHER REF.**  
SKF VKC3643

**APPLICATION**  
TOYOTA

型号: RAC 2079

**OEM REF.**  
96250663



**OTHER REF.**  
C0050

**APPLICATION**  
OPEL-DAEWOO

型号: RAC 2081

**OEM REF.**  
H606-16-510  
OK247-16-510  
OK72A-16-510



**OTHER REF.**  
SKF VKC3600  
LUK 500049760

**APPLICATION**  
MAZDA KIA

型号: RAC 2082

**OEM REF.**  
OK2A1-16-510  
B301-16-510A



**OTHER REF.**  
SKF VKC3609

**APPLICATION**  
KIA PRIDE MAZDA

**Mechanical clutch Release Bearing**

型号: RAC 2083



**OEM REF.**

**OTHER REF.**

**APPLICATION**  
HYUNDAI

型号: RAC 2085



**OEM REF.**  
31230-36160

**OTHER REF.**  
SKF VKC3644

**APPLICATION**  
TOYOTA

型号: RAC 2087



**OEM REF.**

**OTHER REF.**  
NACHI RCT337SA

**APPLICATION**  
TOYOTA

型号: RAC 2088



**OEM REF.**  
31230-60150

**OTHER REF.**  
SKF VKC3649  
LUK 500080160

**APPLICATION**  
TOYOTA

型号: RAC 2089



**OEM REF.**  
31230-60180

**OTHER REF.**  
NACHI 689CRN53P-4  
LUK 500080860

**APPLICATION**  
TOYOTA

型号: RAC 2090



**OEM REF.**  
7683329  
7710674

**OTHER REF.**  
SKF VKC2113  
LUK 500002711

**APPLICATION**  
FIAT

型号: RAC 2091



**OEM REF.**  
2041.60  
2041.42  
9609088288

**OTHER REF.**  
SKF VKC2216  
LUK 500032710

**APPLICATION**  
PEUGEOT 405 FIAT

型号: RAC 2092



**OEM REF.**  
2041.30  
97534867

**OTHER REF.**  
SKF VKC2051

**APPLICATION**  
PEUGEOT 504 1.8/1.9/2.0/2.2/2.3/2.7

型号: RAC 2093



**OEM REF.**  
2041.43  
2041.35  
91535743

**OTHER REF.**  
SKF VKC2169  
LUK 500024510

**APPLICATION**  
PEUGEOT 505

型号: RAC 2094



**OEM REF.**  
0002505215  
6612503015

**OTHER REF.**  
SKF VKC2045  
LUK 500000110

**APPLICATION**  
MERCEDES BENZ VOLVO

**Mechanical clutch Release Bearing**

型号: RAC 2095



**OEM REF.**  
7701616841  
7701348231

**OTHER REF.**  
SKF VKC2080  
LUK 5000904010

**APPLICATION**  
RENAULT

型号: RAC 2096



**OEM REF.**  
8812620502

**OTHER REF.**

**APPLICATION**  
PAYKEN

型号: RAC 2097




**OEM REF.**  
31230-35090  
31230-14030

**OTHER REF.**  
SKF VKC3616  
NSK 507KB3504BR  
LUK 500053960

**APPLICATION**  
TOYOTA

型号: RAC 2100




**OEM REF.**

**OTHER REF.**  
85H512

**APPLICATION**  
PAYKEN

型号: RAC 2101



**OEM REF.**  
2108-1685

**OTHER REF.**

**APPLICATION**  
LADA

型号: RAC 2104



**OEM REF.**  
2101-1682NY

**OTHER REF.**

**APPLICATION**  
LADA

型号: RAC 2106



**OEM REF.**  
4000FC001D

**OTHER REF.**

**APPLICATION**  
PAYKEN

型号: RAC 2108



**OEM REF.**

**OTHER REF.**

**APPLICATION**  
PAYKEN

型号: RAC 2109



**OEM REF.**  
OK2A1-16-510

**OTHER REF.**

**APPLICATION**  
KIA PRIDE

型号: RAC 2110



**OEM REF.**  
2041.60  
2041.42  
9609028288

**OTHER REF.**  
SKF VKC2216  
LUK 500032710

**APPLICATION**  
PEUGEOT 405

**Mechanical clutch Release Bearing**

型号: RAC 2113



**OEM REF.**  
8B12618S50

**OTHER REF.**

**APPLICATION**  
RENAULT R5

型号: RAC 2114



**OEM REF.**  
2041.61  
2041.64  
9614677380

**OTHER REF.**  
SKF VKC2516  
LUK 500074210

**APPLICATION**  
PEUGEOT 206

型号: RAC 2115




**OEM REF.**

**OTHER REF.**

**APPLICATION**  
PAYKEN

型号: RAC 2116



**OEM REF.**  
92WX7548AA  
86AB7548AA  
77FB7548CA  
6846395  
5027199  
1643413

**OTHER REF.**  
SKF VKC2161  
LUK 500014311

**APPLICATION**  
FORD

型号: RAC 2117



**OEM REF.**  
7625958  
46515184  
46466726

**OTHER REF.**  
SKF VKC2183  
INA F-122978

**APPLICATION**  
FIAT PALIO/UNO; LANCIA Y10

型号: RAC 2118



**OEM REF.**  
95AX7L596BA  
91AB7548BA  
ECB272  
7166796  
6546467

**OTHER REF.**  
SKF VKC2548  
INA F-221440

**APPLICATION**  
FORD ESCORT

型号: RAC 2119



**OEM REF.**  
30502-01800

**OTHER REF.**  
SKF VKC3551  
LUK 500041460

**APPLICATION**  
NISSAN MICRA

型号: RAC 2120




**OEM REF.**  
085141165H/F/E

**OTHER REF.**  
SKF VKC2220  
LUK 500031110

**APPLICATION**  
AUDI A2 1.2 SEAT 1.4/1.6/1.7  
POLO 1.3/1.4/1.7/1.9

型号: RAC 2121



**OEM REF.**  
7704001430  
7700869415  
7700852719  
7700725237

**OTHER REF.**  
SKF VKC2191  
LUK 500025410

**APPLICATION**  
RENAULT R9/R11/R19/R21  
VOLVO 440/460/480

型号: RAC 2122



**OEM REF.**  
90092811  
668642  
668374  
3432373  
90111364

**OTHER REF.**  
SKF VKC2186  
SKF VKC2034  
LUK 500016610

**APPLICATION**  
OPEL ASCONA A 1.3/1.6/1.9/2.0

**Mechanical clutch Release Bearing**

型号: RAC 2123



**OEM REF.**  
97501451  
9750145080  
56670600  
2041.33  
2041.29

**OTHER REF.**  
SKF VKC2193

**APPLICATION**  
PEUGEOT 205/305/309/405

型号: RAC 2124



**OEM REF.**  
GRB243  
GRB90258  
21511044099  
1044099  
22810-P6A-000

**OTHER REF.**  
SKF VKC2538  
LUK 500035210

**APPLICATION**  
ROVER 200/400/600/800  
HONDA CIVIC/ACCORD  
BMW

型号: RAC 2125



**OEM REF.**  
9006475  
90278884  
90251210  
668651  
8745762

**OTHER REF.**  
SKF VKC2238  
LUK 500032110

**APPLICATION**  
DAEWOO OPEL ASCONA A

型号: RAC 2127



**OEM REF.**  
085141165H/F/E

**OTHER REF.**  
SKF VKC2220  
LUK 500031110

**APPLICATION**  
AUDI A2 GOLF II POLO  
JETTA SEAT

型号: RAC 2129



**OEM REF.**  
B76-360710AYC9W

**OTHER REF.**

**APPLICATION**  
LADA

型号: RAC 2130



**OEM REF.**

**OTHER REF.**

**APPLICATION**  
LADA

型号: RAC 2131



**OEM REF.**  
VBF-986710AE2

**OTHER REF.**

**APPLICATION**  
VOLGA 402\406

型号: RAC 2132



**OEM REF.**

**OTHER REF.**

**APPLICATION**  
PAYKEN ROA

型号: RAC 2133



**OEM REF.**

**OTHER REF.**

**APPLICATION**  
LADA

型号: RAC 2134



**OEM REF.**  
3C11-7548-AA  
4412070  
888B-7548-AA

**OTHER REF.**  
INA F-208841.2

**APPLICATION**  
FORD TRANSIT

**Mechanical clutch Release Bearing**

型号: RAC 2137



**OEM REF.**  
E301-16-510A

**OTHER REF.**  
NSK RCT3315A1

**APPLICATION**  
ROVER 326

型号: RAC 2138



**OEM REF.**  
22810-P86-920  
22810-P86-921  
22810-P86-922  
22810-P86-923

**OTHER REF.**  
SKF VKC3508  
LUK 500030860

**APPLICATION**  
HONDA ACCORD

型号: RAC 2140



**OEM REF.**  
E301-16-510A

**OTHER REF.**  
NSK RCT3315A1

**APPLICATION**  
MAZDA

型号: RAC 2141



**OEM REF.**  
30502-69F10

**OTHER REF.**  
SKF VKC3737  
NSK RCT4000SA

**APPLICATION**  
MERCEDES-BENZ

型号: RAC 2143



**OEM REF.**  
1-09820-078

**OTHER REF.**  
SKF VKC3631  
NSK 78TKC5401

**APPLICATION**  
ISUZU

型号: RAC 2145



**OEM REF.**  
30502-69F10

**OTHER REF.**  
SKF VKC3737  
NSK RCT4000SA

**APPLICATION**  
NISSAN

型号: RAC 2146



**OEM REF.**  
7701041850  
7700870859  
7700870067  
7700102781  
M819939  
3209429.4

**OTHER REF.**  
SKF VKC2433  
LUK 500033130

**APPLICATION**  
RENAULT CLIO/MEGANE  
VOLVO S40/V40

型号: RAC 2147




**OEM REF.**  
9633922480  
2041.63  
9633922480  
9625812880  
2041.63

**OTHER REF.**  
SKF VKC2523  
LUK 500092410

**APPLICATION**  
PEUGEOT 206/307/206  
FIAT DUCATO/SCUDO

型号: RAC 2148



**OEM REF.**  
4662270  
4439919  
4304832  
4439919

**OTHER REF.**  
SKF VKC2095  
LUK 500002810

**APPLICATION**  
FIAT 127/PANDA/UNO

型号: RAC 2149



**OEM REF.**  
2226428  
21511223368  
21211225203  
1223366  
1207275  
12044194

**OTHER REF.**  
SKF VKC2120  
LUK 500003510

**APPLICATION**  
BMW X5/Z3

**Mechanical clutch Release Bearing**

型号: RAC 2153



**OEM REF.**  
888B7548AA

**OTHER REF.**  
SACHS 3151271937

**APPLICATION**  
FORD TRANSIT

型号: RAC 2154



**OEM REF.**  
0002506415

**OTHER REF.**  
SKF VKC3617

**APPLICATION**  
BENZ TRUCK

型号: RAC 2158



**OEM REF.**  
22810-P20-003

**OTHER REF.**  
SKF VKC3654  
NACHI 47SCRN40P-4  
LUK 500066860

**APPLICATION**  
MITSUBISHI HYUNDAI

型号: RAC 2159



**OEM REF.**  
22810-PL3-003

**OTHER REF.**  
SKF VKC3617

**APPLICATION**  
HONDA CIVIC 16V

型号: RAC 2160



**OEM REF.**  
22810-P20-003

**OTHER REF.**  
SKF VKC3654  
NACHI 47SCRN40P-4  
LUK 500066860

**APPLICATION**  
HONDA ACCORD CIVIC

型号: RAC 2161



**OEM REF.**  
22810-PS1-000  
22810-PS1-015  
22810-PS1-008

**OTHER REF.**  
NSK 55TKB3502A

**APPLICATION**  
HONDA ACCORD CIVIC

型号: RAC 2163



**OEM REF.**  
5313140010  
5313140011

**OTHER REF.**  
NSK 54TKA3501

**APPLICATION**  
ISUZU

型号: RAC 2164

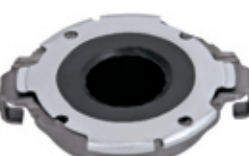


**OEM REF.**  
41421-28010  
41421-28002

**OTHER REF.**  
SNR B840414 S02

**APPLICATION**  
HYUNDAI ELANTEA

型号: RAC 2165



**OEM REF.**  
41421-39000  
41421-28020

**OTHER REF.**  
SKF VKC2674

**APPLICATION**  
HYUNDAI SONATA

型号: RAC 2166



**OEM REF.**  
945B2157  
23265-80D00

**OTHER REF.**  
SKF VKC2674

**APPLICATION**  
DAEWOO DAMAS

**Mechanical clutch Release Bearing**

型号: RAC 2167

**OEM REF.**  
30502-9C000  
30501-Y9504



**OTHER REF.**

**APPLICATION**  
NISSAN SERENA 2.0D

型号: RAC 2168

**OEM REF.**  
22810-PPT-0030



**OTHER REF.**  
NACHI 55SCRN34P-8

**APPLICATION**  
HONDA CIVIC

型号: RAC 2169

**OEM REF.**  
31230-20191  
31230-33020  
31230-44011



**OTHER REF.**  
SKF VKC3584  
LUK 500069560

**APPLICATION**  
TOYOTA

型号: RAC 2170

**OEM REF.**  
90578343



**OTHER REF.**  
INA F-229422.1

**APPLICATION**  
OPEL

型号: RAC 2171

**OEM REF.**  
BB40003 S06



**OTHER REF.**

**APPLICATION**  
HYUNDAI TUCSON

型号: RAC 2174

**OEM REF.**



**OTHER REF.**  
BB12620S22

**APPLICATION**  
PAYKEN

型号: RAC 2175

**OEM REF.**  
7704001363  
7701464673  
7701349113  
7700674114



**OTHER REF.**  
SKF VKC2189  
LUK 500068930

**APPLICATION**  
RENAULT R18/R20/R21

型号: RAC 2176

**OEM REF.**  
96092637  
95656587  
2041.47  
9609263780  
1474082080  
2041.44

**OTHER REF.**  
SKF VKC2239  
LUK 500046230

**APPLICATION**  
CITROEN 1.9/2.0/2.1/3.0  
PEUGEOT 605 1.8/1.9/2.0  
FIAT 1.9/2.0/2.5/2.8



型号: RAC 2177

**OEM REF.**  
30502-AA051  
30502-AA060



**OTHER REF.**  
SKF VKC3613  
NTN FCR62-42-4/2E  
LUK 500060660

**APPLICATION**  
SUBARU

型号: RAC 2178

**OEM REF.**



**OTHER REF.**

**APPLICATION**  
LADA

**Mechanical clutch Release Bearing**

型号: RAC 2182

**OEM REF.**  
972091970



**OTHER REF.**  
NSK 48TKB3204R

**APPLICATION**  
CHEVROLET

型号: RAC 2183

**OEM REF.**



**OTHER REF.**  
NSK 48TKB32055

**APPLICATION**  
ISUZU

型号: RAC 2184

**OEM REF.**  
2041.58  
2041.62  
9619888580



**OTHER REF.**  
SKF VKC2542  
LUK 500076010

**APPLICATION**  
CITROEN PEUGEOT FIAT

型号: RAC 2185

**OEM REF.**  
4641947AA




**OTHER REF.**  
SACHI 3151600511

**APPLICATION**  
CHRYSLER VOYAGER

型号: RAC 2187

**OEM REF.**  
8-97316591-0




**OTHER REF.**  
NSK 68TZ3201R

**APPLICATION**  
ISUZU

型号: RAC 2188

**OEM REF.**  
02T141170



**OTHER REF.**  
SACHI 3189000931  
SACHI 3189000932

**APPLICATION**  
AUDI SEAT SKODA VOLKSWAGEN

型号: RAC 2189

**OEM REF.**  
02T 141 165D



**OTHER REF.**

**APPLICATION**  
POLO 1.4/1.6 途安 SKODA明锐 朗逸

型号: RAC 2192

**OEM REF.**



**OTHER REF.**  
55TKB3203

**APPLICATION**  
DELICA

型号: RAC 2198

**OEM REF.**



**OTHER REF.**

**APPLICATION**  
PAYKAN

型号: RAC 2199

**OEM REF.**  
66857  
8-94377-417-0  
8-94377-417-1



**OTHER REF.**

**APPLICATION**  
OPEL ISUZU



### Mechanical clutch Release Bearing

型号: RAC 2200

**OEM REF.**  
41421-23010



**OTHER REF.**  
VALEO PRB-96

**APPLICATION**  
HYUNDAI ACCENT

型号: RAC 2203

**OEM REF.**  
2041.78  
31230-0H010  
31230-52040



**OTHER REF.**  
TKS52-33K

**APPLICATION**  
TOYOTA

型号: RAC 2205

**OEM REF.**  
31230-20170  
31230-20160



**OTHER REF.**  
SKF VKC3584  
LUK 500069560

**APPLICATION**  
TOYOTA

型号: RAC 2206

**OEM REF.**  
15533-10301



**OTHER REF.**

**APPLICATION**  
ISUZU

型号: RAC 2207

**OEM REF.**  
90363-52001



**OTHER REF.**  
SKF VKC3575  
KOYO RCT525  
LUK 500069060

**APPLICATION**  
本田

型号: RAC 2208

**OEM REF.**  
500 0058 100



**OTHER REF.**

**APPLICATION**

型号: RAC 2209

**OEM REF.**



**OTHER REF.**

**APPLICATION**

型号: RAC 2210

**OEM REF.**  
1474082080  
2041.59



**OTHER REF.**  
SKF VKC2537

**APPLICATION**  
CITROEN PEUGEO LANCIA FIAT

型号: RAC 2211

**OEM REF.**  
6 124 270  
1018702  
1484974  
1484975



**OTHER REF.**  
SKF VKC2144  
LUK 500007110

**APPLICATION**  
FORD

型号: RAC 2212

**OEM REF.**  
0357.22



**OTHER REF.**

**APPLICATION**

### Mechanical clutch Release Bearing

型号: RAC 2213

**OEM REF.**  
DBZY-J9603A  
E87Z-7548



**OTHER REF.**  
BCA 614061

**APPLICATION**  
FORD E-150 ECONOLINE 1989-1988  
MAZDA NAVAJO 1992-1991  
MERCURY COUGAR 1990

型号: RAC 2214

**OEM REF.**



**OTHER REF.**  
BCA 614038

**APPLICATION**  
CHEVROLET P30/EDSEL  
GMC P3500 /MERCURY(水星)  
CALIENTE CAPRI ---/GMC

型号: RAC 2215

**OEM REF.**  
30502-28E18  
30502-28E19  
30502-56A00  
30502-56A60



**OTHER REF.**  
SKF VKC3598  
NTN FCR62-33/2E

**APPLICATION**  
NISSAN BLUE BRID 1985-1990  
NISSAN SUNNY 1983-1990

型号: RAC 2216

**OEM REF.**



**OTHER REF.**  
BCA 614040

**APPLICATION**  
FORD AEROSTAR 1987-1986  
FORD BRONCO 2 1987-1985  
FORD RANGER 1987-1985

型号: RAC 2217

**OEM REF.**



**OTHER REF.**

**APPLICATION**

型号: RAC 2218

**OEM REF.**



**OTHER REF.**  
BCA 614062

**APPLICATION**  
FORD F SUPER DUTY 1997-1991  
FORD F-350 1997-1987  
FORD F53 1997-1988

型号: RAC 2221V

**OEM REF.**  
001 250 0115  
001 250 0215  
000 141 165



**OTHER REF.**  
SKF VKC 2519  
LUK 500033010  
LUK 500092010

**APPLICATION**  
MERCEDES-BENZ

型号: RAC 2222V

**OEM REF.**



**OTHER REF.**  
VALEO 192140

**APPLICATION**

型号: RAC 2223

**OEM REF.**  
969002514  
441.0.5058-123.6  
002141165C



**OTHER REF.**  
SKF VKC2533

**APPLICATION**  
VW CANDY SKODA FAVORIT

型号: RAC 2224

**OEM REF.**  
9647162280  
2041.72  
2041.49



**OTHER REF.**  
SKF VKC2616  
LUK 500114920

**APPLICATION**  
FIAT CITROEN PEUGEOT

**Mechanical clutch Release Bearing**

型号: RAC 2225



**OEM REF.**

**OTHER REF.**

**APPLICATION**

型号: RAC 2226



**OEM REF.**  
M819939  
7700102781  
7700870067  
7700870859  
7701041850

**OTHER REF.**  
SKF VKC2433  
LUK 500033130

**APPLICATION**  
MITSUBISHI RENAULT VOLVO

型号: RAC 2227



**OEM REF.**  
2041.68  
2041.97

**OTHER REF.**  
SKF VKC 2518  
LUK 500103910

**APPLICATION**  
CITROEN C2/C3/C3 PLURIEL/C4/C4  
PEUGEOT 1007/207/307/307 BREAK

型号: RAC 2228



**OEM REF.**  
GRB239  
AHU1564

**OTHER REF.**  
SKF VKC 2217  
LUK 500036530

**APPLICATION**  
METRO1.0/1.3 1980/10 - 1990/04  
MINI MK I 1991/01

型号: RAC 2229V




**OEM REF.**

**OTHER REF.**  
SNR 8812620522

**APPLICATION**  
PALE

型号: RAC 2230



**OEM REF.**  
23265-81A20  
23265-60K00

**OTHER REF.**  
SKF VKC 3684  
NTN FCR48-39-6/2E

**APPLICATION**  
SUZUKI JIMNY 800(2002/01-2003/06)  
SUZUKI ALTO/ LINGYANG/SWIFT

型号: RAC 2231



**OEM REF.**

**OTHER REF.**  
VALEO 397286  
VALEO R112

**APPLICATION**

型号: RAC 2232



**OEM REF.**

**OTHER REF.**  
VALEO 182583

**APPLICATION**  
CITROEN XANTIA

型号: RAC 2234



**OEM REF.**  
3549881  
380569

**OTHER REF.**  
SKF VKC2065  
LUK 500032310

**APPLICATION**  
VOLVO

型号: RAC 2235



**OEM REF.**  
8-97255313-0

**OTHER REF.**  
NSK 78TKL4801

**APPLICATION**  
ISUZU

**Mechanical clutch Release Bearing**

型号: RAC 2237



**OEM REF.**

**OTHER REF.**  
NSK TKS 50-33K

**APPLICATION**

型号: RAC 2238



**OEM REF.**  
95616712  
AM3130

**OTHER REF.**  
SKF VKC 2054  
LUK 500009510

**APPLICATION**  
CITROEN

型号: RAC 2241



**OEM REF.**  
380569  
3549391  
3549881

**OTHER REF.**  
SKF VKC2065  
SACHI 3151-189 031

**APPLICATION**  
VOLVO

型号: RAC 2244



**OEM REF.**  
31230-20200

**OTHER REF.**

**APPLICATION**  
TOYOTA

型号: RAC 2245




**OEM REF.**  
000 250 62 15  
000 250 69 15  
000 250 87 15  
001 250 23 15  
001 250 24 15

**OTHER REF.**  
SKF VKC 2202  
LUK 500021210

**APPLICATION**  
MERCEDES

型号: RAC 2246



**OEM REF.**

**OTHER REF.**  
NSK 58TKZ3503RA

**APPLICATION**  
TOYOTA

型号: RAC 2247



**OEM REF.**  
6744842  
6928450  
93ZT 7548 AB

**OTHER REF.**  
SKF VKC2546  
LUK 500053510

**APPLICATION**  
FORD MONDEO ESTATE  
SALOON

型号: RAC 2248



**OEM REF.**  
1554189  
1555006  
6091026

**OTHER REF.**  
SKF VKC2144  
LUK 500007110

**APPLICATION**  
FORD GRANADA  
SIERRA ESCORT CLASSIC

型号: RAC 2249



**OEM REF.**  
11600 12042 02  
370 821  
6051 8225

**OTHER REF.**  
SKF VKC2083  
LUK 500016830

**APPLICATION**  
ALFA ROMEO 75/90/  
ALFETTA/ALFETTA GT/GIULIETTA

型号: RAC 2250V



**OEM REF.**  
50 00 404 186  
7700 300 039

**OTHER REF.**  
SKF VKC2190  
LUK 500049930

**APPLICATION**  
FORD ESCORT IV/MK VFIESTA 2/  
COURIER BOX(F3L, F5L)

**Mechanical clutch Release Bearing**

型号: RAC 2251V



**OEM REF.**  
6847097  
92WT7548AA

**OTHER REF.**  
SKF VKC2547

**APPLICATION**  
FORD ESCORT IV/MK V/FIESTA 2/  
COURIER BOX(F3L, F5L)

型号: RAC 2252



**OEM REF.**

**OTHER REF.**  
NSK TKS78-50K

**APPLICATION**

型号: RAC 2253



**OEM REF.**  
02T 141 165C

**OTHER REF.**  
LUK 500100510

**APPLICATION**  
VW GOLF

型号: RAC 2254



**OEM REF.**  
30502-14601

**OTHER REF.**  
SKF VKC3521

**APPLICATION**  
NISSAN 300ZX TURBO 510/610  
NISSAN TRUCKS VANS PICKUP  
HARDBODY

型号: RAC 2259



**OEM REF.**  
30502-Z5000  
30502-Z5001  
ME620330  
1-09820-008-0

**OTHER REF.**  
NSK TKS5-1AU3  
SKF VKC3514

**APPLICATION**  
NISSAN  
MITSUBISHI / ISUZU

型号: RAC 2260



**OEM REF.**  
L301-16-530A  
L301-16-530B  
3M51-7515-8C

**OTHER REF.**  
VALEO BRG0146

**APPLICATION**  
MAZDA

型号: RAC 2266



**OEM REF.**  
2505115  
2505215  
2505515  
2506815  
6612503015

**OTHER REF.**  
SKF VKC2045

**APPLICATION**  
MERCEDES-BENZ  
VOLVO

型号: RAC 2268



**OEM REF.**

**OTHER REF.**

**APPLICATION**

型号: RAC 2270



**OEM REF.**  
31230-71010  
31230-71011

**OTHER REF.**  
LUK 500123110

**APPLICATION**  
TOYOTA

型号: RAC 2272



**OEM REF.**  
30502-0W714  
30502-1W716

**OTHER REF.**  
NTN FCR 62-30-6/2E  
SACHS 3151600528  
SKF VKC3704

**APPLICATION**  
NISSAN

**Mechanical clutch Release Bearing**

型号: RAC 2273



**OEM REF.**  
78DA7548AA

**OTHER REF.**  
F88384

**APPLICATION**  
FORD

型号: RAC 2274



**OEM REF.**  
92019229

**OTHER REF.**  
F91456

**APPLICATION**  
FIAT

型号: RAC 2275



**OEM REF.**

**OTHER REF.**  
F207609

**APPLICATION**

型号: RAC 2278



**OEM REF.**

**OKF REF.**  
SACHS 3151278401

**APPLICATION**  
MAZDA

型号: RAC 2279



**OEM REF.**  
491Q-E-1002018  
13711-71010

**OTHER REF.**  
SORCT3534F0

**APPLICATION**  
金杯海狮/东风皮卡/南京依维柯  
跃进/长安/安凯/海狮/马自达

型号: RAC 2280



**OEM REF.**  
31230-22100  
31230-22101  
31230-71030

**OTHER REF.**  
SKF VKC3640  
SACHS 3151875002

**APPLICATION**  
TOYOTA

型号: RAC 2281



**OEM REF.**  
MN171419

**OTHER REF.**  
KOYO RCT32005A1

**APPLICATION**  
MITSUBISHI

型号: RAC 2282



**OEM REF.**  
1-31310-012-0

**OTHER REF.**  
NSK 81TKL4801

**APPLICATION**  
ISUZU

型号: RAC 2283



**OEM REF.**  
1-31310-022-0

**OTHER REF.**  
NSK 106TKL6101RA1

**APPLICATION**  
ISUZU

型号: RAC 2284



**OEM REF.**

**OTHER REF.**  
58RCT3527F0

**APPLICATION**  
金杯海狮/河北中兴/长安SUV

**Mechanical clutch Release Bearing**

型号: RAC 2296



**OEM REF.**

**OTHER REF.**

**APPLICATION**  
MK2 MINI

型号: RAC 2297



**OEM REF.**  
30502-Z5000

**OTHER REF.**  
KOYO RCT55C  
NACHI 55TRK30A

**APPLICATION**  
NISSAN Atlas

型号: RAC 2298V



**OEM REF.**

**OTHER REF.**  
INA F-569376

**APPLICATION**

型号: RAC 2301



**OEM REF.**

**OTHER REF.**  
48RCT3222FO-A

**APPLICATION**  
北汽威旺M20

型号: RAC 2304



**OEM REF.**

**OTHER REF.**  
NSK 44TK22801B1R

**APPLICATION**  
ISUZU

型号: RAC 2306



**OEM REF.**  
31230-35050  
31230-35060  
31230-35061  
J31 230 350 50

**OTHER REF.**  
NSK 50TKB3501BR

**APPLICATION**  
VW TARO  
TOYOTA

型号: RAC 2307



**OEM REF.**  
MR145619  
30502-12U00  
30502-AA130

**OTHER REF.**  
BRG601 321A

**APPLICATION**  
NISSAN SKYLINE  
MITSUBISHI PAJERO/LANCER  
SUBARU

型号: RAC 2309



**OEM REF.**  
31230-12181

**OTHER REF.**  
KOYO RCT33065A

**APPLICATION**  
TOYOTA YARIS 1.5

型号: RAC 2310



**OEM REF.**  
70DB7580AA

**OTHER REF.**  
SKF 414527  
LORETT Cr1420

**APPLICATION**  
FORD Dexta 2000  
FORD Power Major

型号: RAC 2317



**OEM REF.**  
60800551  
777 8277  
60814442  
768 3163

**OTHER REF.**  
SACHS 3151 894 001  
LUK 500 0509 30  
VALEO 804032

**APPLICATION**  
ALFA ROMEO  
FIAT LANCIA

**Mechanical clutch Release Bearing**

型号: RAC 2319



**OEM REF.**  
02T141165F(不含套管)  
02T141170C(含套管)

**OTHER REF.**  
3151 000 355(不含套管)  
3189 000 931(含套管)

**APPLICATION**

型号: RAC 2320



**OEM REF.**  
31230-71020

**OTHER REF.**  
NSK 58TKZ3503

**APPLICATION**  
TOYOTA HILUX VIGO

型号: RAC 2321



**OEM REF.**  
668335  
97020923

**OTHER REF.**  
LUK 500 0637 60  
SACHS 1863 863 001

**APPLICATION**  
OPEL  
VAUXHALL ISUZU

型号: RAC 2322



**OEM REF.**  
8201108206

**OKF REF.**  
LUK 500 0635 30

**APPLICATION**  
RENAULT MASCOTT(TRUCK)  
IVECO DAILY

型号: RAC 2327



**OEM REF.**

**OTHER REF.**

**APPLICATION**  
LADA GRANTA

型号: RAC 2328



**OEM REF.**  
90363-45079  
0222-16-222  
90363-45002  
90363-45001  
90363-45005  
44002-57100

**OTHER REF.**  
GMB Gc41080

**APPLICATION**  
TOYOTA MAZDA

型号: RAC 2329



**OEM REF.**

**OTHER REF.**  
GMB Gc72080

**APPLICATION**

型号: RAC 2331



**OEM REF.**  
41421-21300

**OTHER REF.**  
PHC PRB-01  
VALEO 804095

**APPLICATION**  
HYUNDAI  
KIA

型号: RAC 2319

**OEM REF.**

**OTHER REF.**

**APPLICATION**

型号: RAC 2320

**OEM REF.**

**OTHER REF.**

**APPLICATION**

### Hydraulic clutch Release Bearing

型号: RAC 2126



**OEM REF.**  
1021237  
1026539  
1075776  
96WT7A564BB  
XS417A564EA  
1E0016540A

**OTHER REF.**  
LUK 510001110  
VALEO 804501

**APPLICATION**  
FORD MAZDA

型号: RAC 2179



**OEM REF.**  
5679333  
24422061  
24424546  
24424957

**OTHER REF.**  
LUK 510 0073 10  
VALEO 804504

**APPLICATION**  
OPEL ASTRA G - 1.2 / 1.4 / 1.6 / 1.8  
OPEL VECTRA B - 1.6 / 1.6 16V / 1.8  
OPEL ZAFIRA - 1.6 1.6V / 1.8 16V

型号: RAC 2193



**OEM REF.**  
1075778  
1141581  
XS417A564AB

**OTHER REF.**  
LUK 510002310

**APPLICATION**  
FORD FOCUS

型号: RAC 2195



**OEM REF.**  
24424957  
5679304  
90470874

**OTHER REF.**  
LUK 510006310

**APPLICATION**  
VAUXHALL/OPEL CORSA

型号: RAC 2196




**OEM REF.**  
7113400  
006.141.165C

**OTHER REF.**  
LUK510000110

**APPLICATION**  
FORD MONDEO

型号: RAC 2197



**OEM REF.**

**OTHER REF.**  
LUK 510006210

**APPLICATION**  
FORD FIESTA

型号: RAC 2204



**OEM REF.**  
MN168395

**OTHER REF.**

**APPLICATION**  
MITSUBISHI LANCER 2004

型号: RAC 2219



**OEM REF.**  
A08246/06

**OTHER REF.**  
VALEO 804513  
SNR BB40530535

**APPLICATION**  
DAEWOO EVANDA LACETTI

型号: RAC 2220



**OEM REF.**  
ZA31825 06311  
ZA31825 07115

**OTHER REF.**

**APPLICATION**  
OPEL

型号: RAC 3001



**OEM REF.**

**OTHER REF.**

**APPLICATION**  
VW TIGUAN BYD

### Hydraulic clutch Release Bearing

型号: RAC 3002



**OEM REF.**

**OTHER REF.**  
LUK 500 6051 01  
INA F-239907

**APPLICATION**  
CHERY AS

型号: RAC 3003



**OEM REF.**  
8200855816  
8200046102

**OTHER REF.**  
LUK 510 0090 10  
SACHS 3182600140  
SKF BRU 0466  
VALEO 804584

**APPLICATION**  
RENAULT

型号: RAC 3004



**OEM REF.**  
96286828

**OTHER REF.**  
INA 510017410  
SACHS 3182600123  
VALEO 804513

**APPLICATION**  
DAEWOO EVANDA (KLAL)  
CHEVROLET LACETTI  
CHEVROLET EVANDA

型号: RAC 3005



**OEM REF.**  
ZA288042

**OTHER REF.**

**APPLICATION**  
FORD FOCUS

型号: RAC 3006



**OEM REF.**  
1145 313  
1477 989  
2561 7A564AB  
C202-16-630

**OTHER REF.**  
INA F-239907.10  
LUK 510 0062 10

**APPLICATION**  
FORD  
MAZDA

型号: RAC 3007



**OEM REF.**  
S1701L21156-00015

**OTHER REF.**  
INA F-569728

**APPLICATION**  
JAC

型号: RAC 3008



**OEM REF.**  
32150-00QAA  
306206299R  
8200213679

**OTHER REF.**  
SACHS 3182 600 138  
VALEO 804544  
LUK 510 0111 10

**APPLICATION**  
NISSAN LIVINA

型号: RAC 3009



**OEM REF.**  
90522729  
679346

**OTHER REF.**  
FTE ZA3403A1  
VALEO 804503  
SACHS 31822998802  
LUK 510000210

**APPLICATION**  
OPEL VECTRA  
VAUXHALL  
CHEVROLET

型号: RAC 3010



**OEM REF.**  
5101092AA  
0002541608  
087141671  
UUB100040

**OTHER REF.**  
FTE ZA3608.3.2  
LUK 510003510  
VALEO 804528

**APPLICATION**  
BMW / VW  
CHRYSLER

型号: RAC 3011



**OEM REF.**  
1226832  
1472108  
3M517A564BC  
JC01 16 530  
30735518

**OTHER REF.**  
FTE ZA32011.4.7  
SACHS 3182600150  
VALEO 804571

**APPLICATION**  
FORD / VOLVO  
MAZDA

Hydraulic clutch Release Bearing

型号: RAC 3012



**OEM REF.**  
4925822  
8748667

**OTHER REF.**  
VALEO 804534  
LUK 51000310  
SACHS 3182998804  
FTE ZA3460A1

**APPLICATION**  
OPEL VECTRA  
VAUXHALL / SAAB

型号: RAC 3013




**OEM REF.**  
55557910  
24422062  
55558371  
5679320  
5679330  
9126100

**OTHER REF.**  
VALEO 804538  
SACHS 3182 998 001  
LUCAS GEP C0204  
LUK 510 003 810

**APPLICATION**  
OPEL / FIAT

型号: RAC 3014



**OEM REF.**  
30620-00Q0A

**OTHER REF.**  
LUK 510 009 710  
FTE ZA3007.4.1  
SACHS 3182 600 129  
VALEO 804527

**APPLICATION**  
NISSAN TIIDA (C11X)1.6

型号: RAC 3015



**OEM REF.**  
1405590  
1232811  
35717A564AB  
3M517A564EA  
30651915  
30759485

**OTHER REF.**  
VALEO 804573  
LUK 510014010  
SACHS 3182600147  
FTE ZA31012.4.4

**APPLICATION**  
FORD MONDEO/FOCUS  
VOLVO

型号: RAC 3016



**OEM REF.**  
55557478  
55558741  
93186759  
93186759  
24422064  
55558741

**OTHER REF.**  
VALEO 804552  
FTE ZA34036A1  
SACHS 3182600130

**APPLICATION**  
OPEL

型号: RAC 3017




**OEM REF.**  
MW8667661  
MW6900012  
7436900012  
7438667661  
7439463525  
86676616

**OTHER REF.**  
VALEO 804533  
FTE ZA2903.3.1  
SACHS 3182 998 702  
LUK 510 0010 10

**APPLICATION**  
RENAULT / MITSUBISHI  
VOLVO

型号: RAC 3018



**OEM REF.**  
UUB105301  
UUB105300

**OTHER REF.**  
VALEO 804550  
FTE ZA3002.7.1  
SACHS 3182 600 117  
LUK 510 0082 10

**APPLICATION**  
ROVER  
MG

型号: RAC 3019



**OEM REF.**  
000 254 18 08  
000 254 13 08

**OTHER REF.**  
VALEO 804540  
FTE ZA3606A1  
SACHS 3182 997 801

**APPLICATION**  
BENZ VITO  
BENZ VIANO

型号: RAC 3020



**OEM REF.**  
02F141671B  
02F141671A

**OTHER REF.**  
VALEO 804531  
FTE ZA2803A1  
LUCAS GEP C0110  
SACHS 3182 998 401  
LUK 510 001 610

**APPLICATION**  
VW TRANSPORTER

型号: RAC 3021



**OEM REF.**  
96832585

**OTHER REF.**  
FTE ZA34055.3.1  
LUK 510 0175 10

**APPLICATION**  
CHEVROLET CRUZE

Hydraulic clutch Release Bearing

型号: RAC 3022



**OEM REF.**  
UUB100193  
UUB100192

**OTHER REF.**  
SKF BRU-0375 BC  
SKF FR J05 S  
VALEO 804551  
FTE ZA3003.7.1  
LUK 510008410

**APPLICATION**  
ROVER  
MG

型号: RAC 3023



**OEM REF.**  
4411103  
4502327  
3C117A564AA  
3C117A564AB

**OTHER REF.**  
VALEO 804546  
FTE ZA2804A1  
LUCAS GEP C0120  
SACHS 3182600110  
TRW PJQ124

**APPLICATION**  
FORD TRANSIT

型号: RAC 3024



**OEM REF.**

**OTHER REF.**  
SNR BAC490NM11  
FTE ZA348191

**APPLICATION**  
ROEWE 350

型号: RAC 3025



**OEM REF.**  
4C117C559AA  
4C117C559AB  
4C117C559AC  
4C117C559AD  
4C117C559AE

**OTHER REF.**  
INA F-236398.03  
LUK 510 0092 10

**APPLICATION**  
FORD GALAXY / FORD S-MAX  
FORD MONDEO IV  
FORD TRANSIT

型号: RAC 3026



**OEM REF.**  
2324A015  
2324A072  
2324A077  
2324A078  
2041.A6  
2041.90

**OTHER REF.**  
SACHS 3182 600 169  
LUK 510 0108 10  
QH CSC067  
FTE ZA2702.7.1

**APPLICATION**  
PEUGOET  
CITROEN  
MITSUBISHI

型号: RAC 3027



**OEM REF.**

**OTHER REF.**  
VALEO 804560

**APPLICATION**  
HYUNDAI

型号: RAC 3028



**OEM REF.**  
55563645  
679078

**OTHER REF.**  
SACHS 3182 600 184  
FTE ZA34048.3.1  
QH CSC079

**APPLICATION**  
CHEVROLET  
OPEL

**OEM REF.**

**OTHER REF.**

**APPLICATION**

**OEM REF.**

**OTHER REF.**

**APPLICATION**

**OEM REF.**

**OTHER REF.**

**APPLICATION**