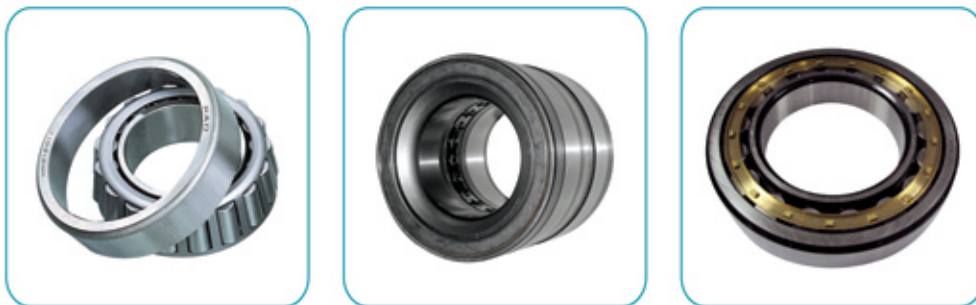


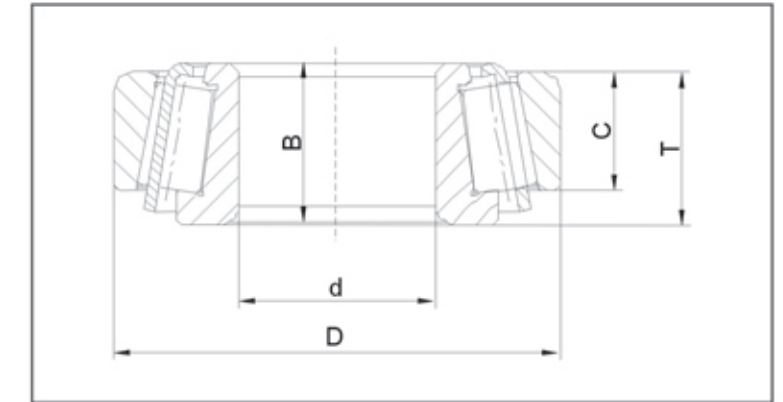
# 圆锥轴承 Tapered Roller Bearings



FAVORABLE FOUNDATIONS BRING FUTURE SUCCESS  
基础创造未来

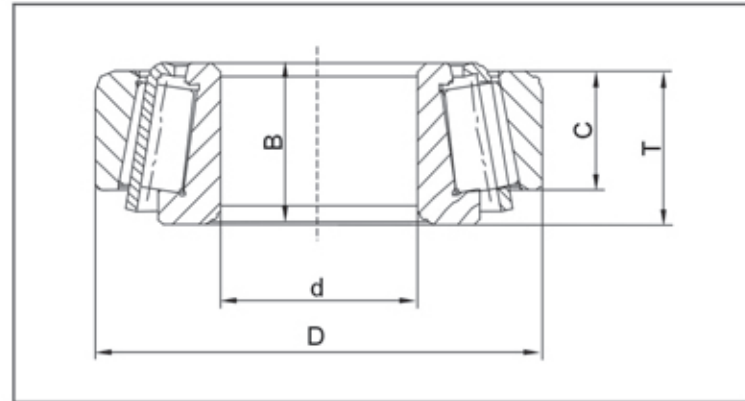


## Single Row Tapered Roller Bearings



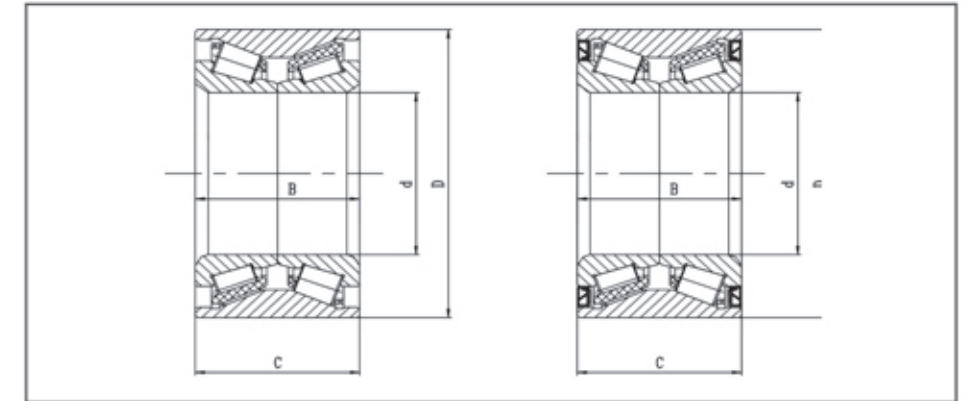
RADICAL	d (MM)	D (MM)	B (MM)	C (MM)	T (MM)	Rmin	rmin	Cr(KN)	Cor(KN)	W(KG)
LM11749/10	17.462	39.878	14.605	10.668	13.843	1.3	1.3	21.5	23	0.0833
LM11949/10	19.05	45.237	16.637	12.065	15.494	1.3	1.3	27.5	29.5	0.12
M12649/10	21.43	50.005	18.288	13.97	17.526	1.3	1.3	37.5	40	0.172
LM12749/10	21.987	45.237	16.637	12.065	15.494	1.3	1.3	28	32	0.116
L44643/10	25.4	50.292	14.732	10.668	14.224	1.3	1.3	27	32	0.126
M84548/10	25.4	57.15	19.431	14.732	19.431	1.5	1.5	43.1	49.9	0.242
6-7805Y	26	57.15	17.462	14	17.462	3.6	1	38.75	46.9	0.211
L44649/10	26.988	50.292	14.732	10.668	14.224	3.5	1.3	27	32	0.119
KJ15585/20	28	57.15	17.462	13.495	17.462	3.6	1.3	40.6	46.9	0.212
TR285216g	28	52	18.5	12	16	3.5	1.5	32.6	39.8	0.144
TF28KW04g/01g	28	50.292	18.65	10.668	14.224	4.35	2	27.1	36.1	0.127
L45449/10	29	50.292	14.732	10.668	14.224	3.6	1.3	26.8	34	0.113
329013A/Q	29	50.292	17.5	10.668	14.224	2.3	1.3	26.8	34	0.12
LM67048/10	31.75	59.131	16.764	11.811	15.875	SPCL	1.3	35.6	42.2	0.183
NP39044/NP750997	31.75	61.986	19.05	14.732	7.938	3.5	1.5	43.2	49.1	0.26
M88048/10	33.338	68.262	22.225	17.462	22.225	0.8	1.5	56.3	71.3	0.382
LM48548/10	34.925	65.088	18.288	13.97	18.034	SPCL	1.3	46	57.5	0.257
M88649/10	34.925	72.233	25.4	19.842	25.4	2.5	2.5	61	80	0.482
JL68149/10	34.988	59.131	16.764	11.938	15.875	SPCL	1.3	36	48.6	0.172
LM78349A/10	34.988	61.973	14.4	13.6	16.7	4.75	1.5	41.1	53	0.21
JL68145/11	35	60	18.412	11.938	15.875	2.5	1.3	36	48.6	0.187
NP353549/NP673396	35	72	23.5	19	23.9	2	1.5	62.6	78.8	0.467
M88648/10	35.717	72.233	25.4	19.842	25.4	2.5	2.5	61	80	0.482
JL69349/10	38	63	17	13.5	17	SPCL	1.3	36	50	0.197
JL69345/10	38	63	19	13.5	17	SPCL	1.3	35.5	51.3	0.202
LM29749/10	38.1	65.088	18.288	15.748	19.812	2.3	1.3	40	58.1	0.251
LM29748/10	38.1	65.088	18.288	13.97	18.034	SPCL	1.3	40	58.1	0.234
19150/NP353933	38.1	68.262	16.52	11.908	7.539	1.5	1.5	45.8	55	0.248
U399/U360L	39.992	72.8	22.098	18.5	19.25	2.3	1.3	54.9	65	0.351
LM300849/11	40.988	67.975	18	13.5	17.5	SPCL	1.5	43.84	62.44	0.24
LM501349/10	41.275	73.431	19.812	14.732	19.558	3.5	0.8	54.5	68.5	0.345
ST4276C	42	73	27.5	19.8	23.8	2.3	0.8	73.3	96.8	0.474
25580/20	44.45	82.931	25.4	19.05	23.812	3.6	0.8	76.5	99	0.554
18685/20	44.45	79.375	17.462	13.495	17.462	2.8	1.5	46.3	57.6	0.342
U497/U460L	44.987	79.975	26	18	24	2.3	1.3	71.8	86.4	0.472
518713	44.988	112.712	33.75	25.3	34.512	3	2.8	137.7	149	1.629
5012-09	45	100/107	25	44.5	7	2	0.8	108.9	129.8	1.3
LM102949/10	45.242	73.431	19.812	15.748	19.558	4	1	51.4	79	0.308
18690/20	46.038	79.375	17.462	13.495	17.462	2.8	1.5	44.2	57.6	0.33
517012	50	77	19.5	15	19.9	3	1.5	52.4	77.2	0.312
33889/22(9071285)	50.8	95.25	28.575	22.225	27.783	3.5	0.8	109	142.5	0.844
28680/28622	55.562	97.63	24.608	19.446	24.608	3.5	0.8	88.24	137	0.766
CR-1252	60	95	26	21	27	2	2	81.4	118.7	
LL319349/10SP	63.5	138.43	15.083	11.908	15.875	1.5	1.5	57.7	92.7	1.168
F15048	75	180	60	45	63.5	3.5	3.5	405.2	531.3	7.804
F15071	75	160	55	40	58	3.5	3.5	320.8	440.8	5.372
34300/34478	76.2	121.442	23.012	17.462	24.608	2	2	91.9	129.2	0.958

### Single Row Tapered Roller Bearings

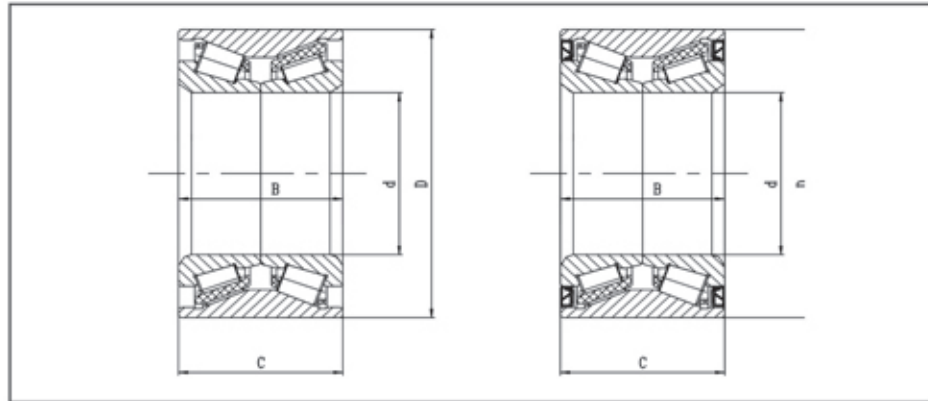


RADICAL	d (MM)	D (MM)	B (MM)	C (MM)	T (MM)	Rmin	rmin	Cr(KN)	Cor(KN)	W(KG)
27687/20	82.55	125.412	25.4	19.845	25.4	3.6	1.6	101.1	162.4	1.041
47686/20A	82.55	133.35	33.338	26.195	33.338	3.5	0.8	153	235	1.686
37425/37625	107.95	158.75	21.438	15.875	23.02	3.6	3.3	105.4	172.7	1.379
37431A/37625	109.538	158.75	21.438	15.875	23.02	5	3.3	105.4	172.7	1.313
JP12049/10	120	170	25	19.5	27	3	3	178	283	1.742
30203	17	40	12	11	13.25	1	1	20.7	21.9	0.079
30204	20	47	14	12	15.25	1	1	28.2	30.6	0.126
30304	20	52	15	13	16.25	1.5	1.5	33.1	33.2	0.165
32004	20	42	15	12	15	0.6	0.6	25.1	28.2	0.0947
32204	20	47	18	15	19.25	1	1	33.2	35	0.157
30205	25	52	15	13	16.25	1	1	32.2	37	0.154
30305	25	62	17	15	18.25	1.5	1.5	46.9	48.1	0.263
30305X2B	25	62	17	14	18.25	1.5	1.5	40.4	48	0.2606
32005	25	47	15	11.5	15	0.6	0.6	28	34.1	0.11
32205	25	52	18	16	19.25	1	1	41.3	49.2	0.199
33005	25	47	17	14	17	0.6	0.6	32.5	42.5	0.129
33205	25	52	22	18	22	1	1	47.1	55.8	0.216
30206	30	62	16	14	17.25	1	1	43.3	50.5	0.231
30306	30	72	19	16	20.75	1.5	1.5	59	63.1	0.387
30306X2B	30	72	23	18	24.35	1.5	1.5	58.2	76.5	0.477
32006	30	55	17	13	17	1	1	35.7	46.8	0.17
32206	30	62	20	17	21.25	1	1	51.8	63.7	0.287
32306C	30	72	23	27	28.75	1.5	1.5	71.2	90.7	0.55
30207	35	72	17	15	18.25	1.5	1.5	54.2	63.5	0.331
30307	35	80	21	18	22.75	2	1.5	75.3	82.6	0.515
32007	35	62	18	14	18	1	1	43.2	59.2	0.224
30208	40	80	18	16	19.75	1.5	1.5	63	74	0.422
30308	40	90	23	20	25.25	2	1.5	90.9	107.6	0.747
32008	40	68	19	14.5	19	1	1	51.9	71.1	0.267
31308F	40	90	23	17	25.25	2	1.5	85.4	99.7	0.744
ST4276	42	76	27.5	19.8	23.8	2.3	0.8	79.6	105.9	0.48
30309	45	100	25	22	27.25	2	1.5	108.9	129.8	0.984
32009	45	75	20	15.5	20	1	1	58.4	81.4	0.337
32010	50	80	20	15.5	20	1	1	61.1	89	0.366
32210	50	90	23	19	24.75	1.5	1.5	82.8	107.6	0.626
32311	55	120	43	35	45.5	2.5	2	203	271.4	2.37
32312	60	130	46	37	48.5	3	2.5	226.7	303	2.9
32313	65	140	48	39	51	3	2.5	259.6	349.8	3.51
32913	65	90	17	14	17	1	1	56.9	89	0.301
30215	75	130	25	22	27.25	2	1.5	138.4	185.4	1.36
30615	75	135	45	36.5	44.5	2	1.5	222.9	346.8	2.7
32215	75	130	31	27	33.25	2	1.5	170.3	242.1	1.74
32315	75	160	55	45	58	3	2.5	347.4	483.1	5.37
32216	80	140	33	28	35.25	2.5	2	198.1	279	2.13
33216X2	80	140	45	36.5	45	2.5	2.5	226.6	348.5	2.775
33117F(P6X)	85	140	41	32	41	2	2	225.2	354.2	2.454
32218	90	160	40	34	42.5	2.5	2	269.8	395.5	3.44

### Double Row Tapered Roller Bearings



RADICAL	d (MM)	D (MM)	B (MM)	C (MM)	N.W.(kg)	SEAL	Cross Reference	MANUFACTURER
DU20470040/35	20	47	40	35			DTR2047	
DU25520037	25	52	37	37	0.3612		FC12025 S09	PEUGEOT
DU25520037	25	52	37	37	0.378		FC40570	RENAULT
DU25520037侧唇	25	52	37	37	0.392		FC12156	RENAULT
DU25520043	25	52	43	43	0.4062		FC12180 S04	Renault, Peugeot, Citroen
DU25490045/40	25	49	45	40			DTR2549	
DU25550043	25	55	43	43	0.495		FC12271 S03	Renault
DU25550045	25	55	45	45	0.505		FC40858 S02	Renault
DU25550048	25	55	48	48	0.5416		FC41288 S04	RENAULT SCENIC II
DU25550053.5	25	55	53.5	53.5	0.5962		FC40887	MERCEDES-BENZ
DU25600045	25	60	45	45	0.6464		FC41245	PEUGEOT 307
DU25620048	25	62	48	48	0.7472		FC40725	RENAULT
DU26520037	26	52	37	37				
DU26520041	26	52	41	41				
DU27520045/43	27	52	45	43			CRI0569LL	Nissan
DU27530043	27	53	43	43	0.407		FC40650 S01	OPEL-CORSA/TIGRA
DU27600050	27	60	50	50			DE0565LZCS34PX105	Nissan
DU29530037	29	53	37	37	0.3472		BTH1206D	FORD
DU29570047	29	57	47	47	0.515		BTH1231A	
DU30550056	30	55	56	56	0.55		TU0601-1LL/L260	DAIHATSU
DU30580042	30	58	42	42			CR1-0678LLCS70/L260	MAZDA
DU30600037	30	60	37	37			418780	Fiat, Seat, Volvo
DU30610038	30	61	38	38				
DU30620048	30	62	48	48	0.6644		FC40696 S10	RENAULT
DU30620051	30	62	51	51	0.7		FC41394	CITROEN /PEUGEOT 308
DU32580065/57	32	58	65	57			4T-CRI-0685CS110	
DU32580040/37	32	58	40	37				
DU35680042	35	68	42	42				
DU35650035	35	65	35	35	0.5042		BT2B445620B	kia/Raneult
DU35650035侧唇	35	65	35	35			FC12033	Raneult
DU35680048	35	68	48	48	0.7776		FC40772 S02	RENAULT
DU35720070/60	35	72	70	60			DTR3572	
DU38760043/40	38	76	43	40			TU0808-1/L260	NISSAN
DU38650052/48	38	65	52	48	0.6562		46T080705C	SUBARU RUEDAS
DU38680037	38	68	37	37			517005	ISUZU STYUS
DU39680037	39	68	37	37	0.5404		JRM3939/JRM3968XD	VW,CHERY
DU39720037	39	72	37	37	0.656		JRM3939X2/JRM3972XD	VW,BMW,FORD
DU40720037	40	72	37	37	0.983		JRM3940/4072XD	VW,CHERY
DU40730055	40	73	55	55	0.91		BTH-1024	IVECO
DU40750050	40	75	50	50	0.9298		40KWD02	MITSUBISHI SPORTERO
DU40760040	40	76	40	40			DT407640	
DU4080045/44	40	80	45	44			46T080805CS70	MITSUBISHI PAJERO REAR
DU40800038	40	80	38	38			DU40800038	NISSAN TERRANO II
DU41680040/35	41	68	40	35	0.5246		41KWD01G3CA54	Suzuki VITARA
DU42720038	42	72	38	38	0.5914		4T-CR1-0822	Mazda, Ford
DU42720038/35	42	72	38	35	0.578		46T080704X	Nissan
DU42720052/48	42	72	52	48			4T-CRI-08A02	SUBARU



RADICAL	d (MM)	D (MM)	B (MM)	C (MM)	N.W.(kg)	SEAL	Cross Reference	MANUFACTURER
DU42740038	42	74	38	38				
DU42750060	42	75	60	60	1.09		FC40784 S01	Fiat Ducato 02-
DU42760039	42	76	39	39			4T-CRI-0821	Chrysler/kia/HYUNDAI
DU42820040	42	82	40	40			42KWD10	TOYOTA
DU437700455/435	43	77	45.5	43.5			517013	
DU42800038	43	80	38	38			42KWD08	NISSAN
DU43760043/40	43	76	43	40	0.794		43KWD02	SUBARU FORESTER
DU437700455/415	43	77	45.5	41.5	0.854		43KWD07	TOYOTA HILUX 08
DU45770050/45	45	77	50	45			46T090805LFT	TOYOTA Estima/Emina
DU45850051	45	85	51	51	1.2346		JRM4549CS	FORD TRUCK
DU45780040/37	45	78	40	37			517007	SUBARU SVX
DU45840053	45	84	53	53			NP275832	
DU45.3800048	45.3	80	48	48			FC40096	RENAULT MASTER
DU47850045	47	85	45	45	1.0974		559431A	FORD
DU47880055	47	88	55	55	1.445		47KWD02AU42CA120	FORD RANGER/MAZ B2
DU47880055(ABS)	47	88	55	55				UC3C 33047 B
DU47880057.5	47	88	57.5	57.5	1.4942		DU4788-2LFT	TOYOTA
DU49840043	49	84	43	43	0.9612		JXC25469C	BENZ /Honda LEGEND
DU49880046	49	88	46	46			OP400051	
DU49840048	49	84	48	48	1.062		BTHB329129-DD	FORD
DU54900050(ABS)	54	90	50	50			MERCEDES-BENZ	
DU54980050(ABS)	54	98	50	50				
DU50890051	50	89	51	51			JRM5049AA	ROVER
DU50840054	50	84	54	54			UCF508454	
DU54960051	54	96	51	51	1.4558		DU5496-6LFT	TOYOTA
DU55900052/41	55	90	52	41				
DU55900060	55	90	60	60	1.5		BTH1011AB	Citroen, Peugeot/IVECO
DU55900054(ABS)	55	90	54	54			BTH1215C	PEUGEOT,CITROEN,FIAT
DU60108075-2Z	60	108	75	75	2.86		DU60108-8CS32	MERCEDES/VOLVO TRUCK
803194	78	130	90	90	4.11		F803194	MERCEDES BENZ TRUCK
BTH-0055	82	139.5	115	115	6.5		BTH-0055	MERCEDES/MAN TRUCK
BTH-0018	68/68.2	132/127	115	115	6.1		BTH-0018	SCANIA/VOLVO TRUCK

轮毂轴承  
Wheel bearings



FAVORABLE FOUNDATIONS BRING FUTURE SUCCESS

基础创造未来