



杭州雷迪克汽车部件制造有限公司
HANGZHOU RADICAL AUTOMOBILE PARTS INDUSTRIAL CO.,LTD.

地址: 浙江省杭州市萧山经济技术开发区桥南区春潮路89号
Add: No.89,Chunchao Road, Qiaonan Area,Xiaoshan
Economic&Technological Development Zone, Hangzhou City,
Zhejiang Province, 311231, P.R.China

电话Tel: 0086-571-22806188、22806161
传真Fax: 0086-571-22806116
邮编P.C.: 311231

网址Http: www.radical.cn
电子信箱E-mail: info@radical.cn

RADICAL



FAVORABLE FOUNDATIONS BRING FUTURE SUCCESS

基础创造未来

公司简介 COMPANY BRIEF

雷迪克——作为一家专业的汽车轴承制造企业，多年来致力于对汽车轴承领域的研究和提升，所开发的产品已涉及离合器分离轴承、悬挂轴承、皮带涨紧轮轴承、OAP(单向发电机皮带轮)、轮毂轴承、轮毂单元、圆锥轴承、内球笼三球销万向节等六大系列上千余个品种。

公司占地面积40000余平方米，拥有先进的生产设备和一系列完整的高精度检测仪器，并设有技术中心、研发中心。在过去的10多年中，雷迪克不断得到了社会的肯定，先后被认定为高新技术企业、浙江省外商投资先进技术企业。

凭着丰富的经验、先进的技术、严格的管理，雷迪克将带给客户更优质的产品和服务，成为世界一流的汽车轴承制造企业。

雷迪克，专业品质，创造典范。



Radical—as a professional **manufacturer** of automotive bearings, has been concentrating on the non-stop research and promotion in automotive bearings area for many years. And we have developed thousands of varieties which related to clutch release bearings, suspension bearing, belt tensioner & pulley, overrunning alternator pulley, wheel bearings, hub units, tapered roller bearings, and c.v joint and so on.

Factory covers the area of over 40000 square meters, and possess of advanced production equipments, full range of high-precision testing apparatus, and a Technology Center, R & D center. In the past 10 years, We have continuously obtained the affirmation from social circles, and won High-tech enterprise,

Zhejiang advantaged Foreign-invested enterprise

With rich experience, advanced technology, strict management, we will provide much better quality products and services for customers, and become a world-class automotive bearings manufacturer.

Radical, stands for professional quality, innovatory pioneer.



离合器分离轴承 Clutch Release Bearings



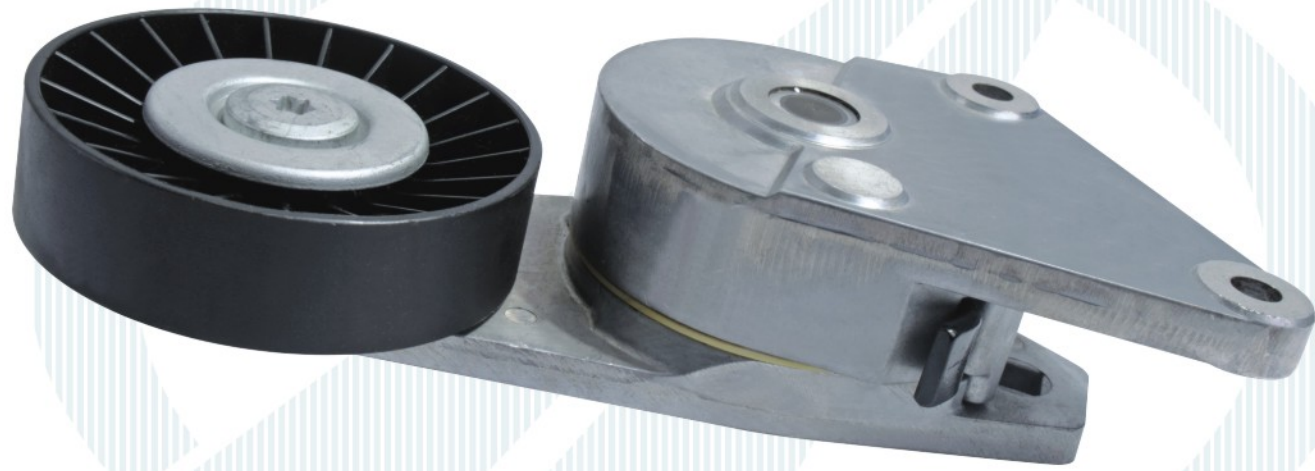
FAVORABLE FOUNDATIONS BRING FUTURE SUCCESS
基础创造未来

悬挂轴承 Suspension Bearings



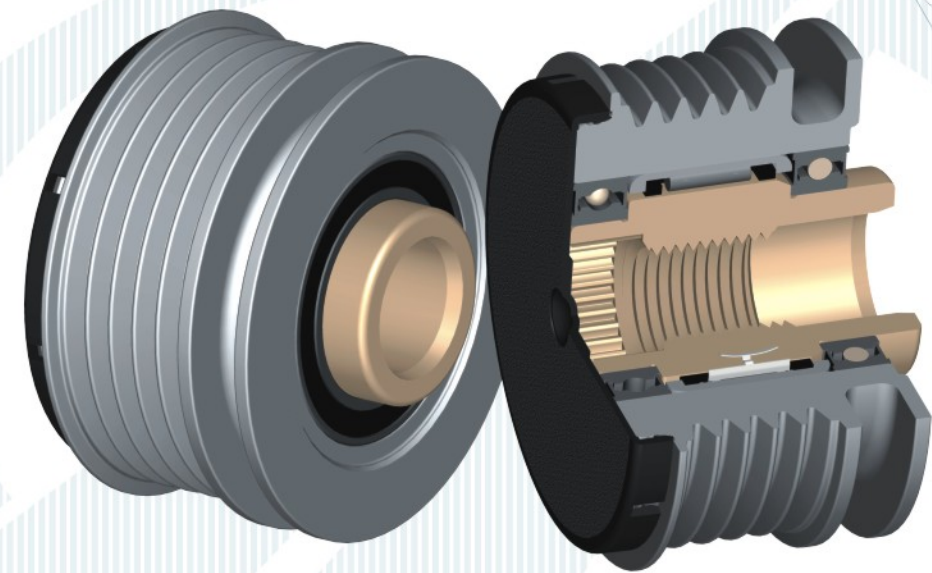
FAVORABLE FOUNDATIONS BRING FUTURE SUCCESS
基础创造未来

涨紧轮
Belt Tensioner and Pulley



FAVORABLE FOUNDATIONS BRING FUTURE SUCCESS
基础创造未来

OPA(单向发电机皮带轮)
Overrunning Alternator Pulley



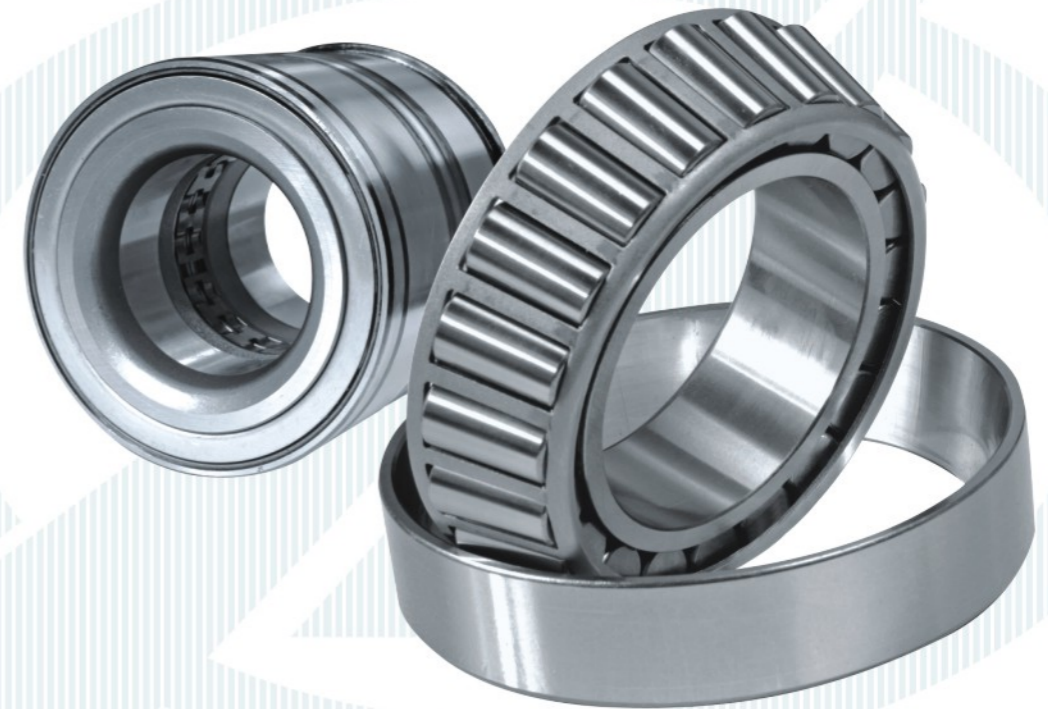
FAVORABLE FOUNDATIONS BRING FUTURE SUCCESS
基础创造未来

轮毂单元
Wheel Hub Units



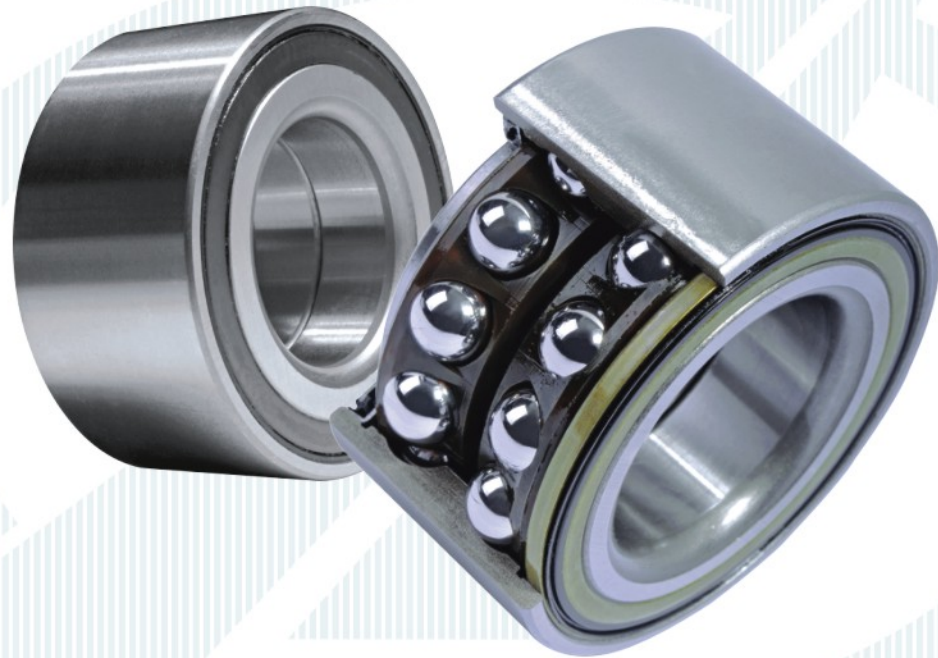
FAVORABLE FOUNDATIONS BRING FUTURE SUCCESS
基础创造未来

圆锥轴承&修理包
Tapered Roller Bearings And Kits



FAVORABLE FOUNDATIONS BRING FUTURE SUCCESS
基础创造未来

球轴承&修理包
Wheel Bearing And Kits



FAVORABLE FOUNDATIONS BRING FUTURE SUCCESS
基础创造未来

特殊内球笼三球销万向节
Special Tripod For Automobile Inner C.V.Joint



FAVORABLE FOUNDATIONS BRING FUTURE SUCCESS
基础创造未来

我们的工艺 Our Process

Professional Manufacturing ,Wholehearted Service 专业制造 · 全心服务

我司专业从事冷挤压产品的开发、设计与生产。采用先进的冷挤压技术和工艺、生产工艺完善，设施齐全。公司主要有160吨—500吨冷挤压设备。

Our company is specialised in the development, design and manufacture of cold-extruded products, applies advanced technology and perfect production technique and well-equipped facilities and has a cold-extruded equipment with the weight of 160-500 ton.



压力机 Press Machine

▲ 冲床
Punching Machine

▶ 压力机
Press Machine



Professional quality,innovatory pioneer
专业品质 · 创造典范



▲ 热处理设备
Heat Treatment Equipment



▲ 轮毂单元热处理设备
Wheel Hub Units Heat Treatment Equipment

拥有各类热处理设备，包括网带炉热处理设备和渗碳热处理设备，保证各种产品所需的性能要求。

We own several kinds of heat treatment equipment, including heat treatment equipment of mesh belt furnace and carbonization which ensure the performance requirements fit for all kinds of products.



▲ 热处理设备
Heat Treatment Equipment



▲ 热处理设备
Heat Treatment Equipment

磨加工自动生产线 Automatic Grinding Production Line

▲ 涨紧轮磨加工生产线
Tensioner Automatic Grinding Line



▲ 分离轴承磨加工生产线
Clutch Release Bearing Automatic Grinding Line

▲ 轮毂轴承自动磨加工线
Wheel Bearing Automatic Grinding Line



▲ 轮毂轴承自动磨加工线
Wheel Bearing Automatic Grinding Line

自动装配生产线 Automatic Assembly Lines



▲ 涨紧轮自动装配线
Tensioner Automatic Assembly Line



▲ 全自动圆锥轴承游隙检测机
Taper Roller Bearing Automatic Clearance Check Machine



▲ 轮毂轴承自动装配线
Wheel Bearing Automatic Assembly Line



▲ 轮毂轴承自动装配线
Wheel Bearing Automatic Assembly Line



▲ 轮毂轴承自动装配线
Wheel Bearing Automatic Assembly Line

**检查中心
Testing Center**

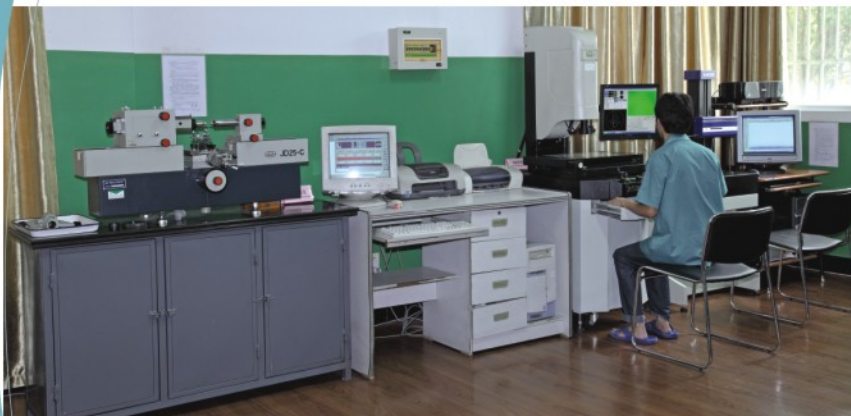
创新设计 · 不断超越
Innovative design, Continuous transcendence



▲ 进口粗糙度检测仪
Imported Roughness Instrument



▲ 进口圆度检测仪
Imported Roundness Instrument



▲ 万能测长仪
Universal Length Measuring Gauge



▲ 视频测量仪
Video Measuring Instrument



▲ 摩擦扭矩测试机
Friction Torque Testing Machine



▲ 弹簧扭力测试机
Spring Torsion Testing Machine



▲ 火花光谱仪
Spark Spectrometry

精益求精 · 追求卓越
Exceed the excellence



▲ 液压分离轴承试验设备
CSC Bearing Test Equipment



▲ 分离轴承试验设备
Clutch Release Bearing Test Equipment



▲ 噪音测试
Noise Test



▲ 轮毂试验测试设备
Wheel Hub Units Test Equipment

▼ 涨紧轮试验测试设备
Tensioner Test Equipment



▲ 轮毂试验测试设备
Wheel Hub Units Test Equipment

A 雷迪克公司大事记 about us

基础

创造未来
BRING FUTURE SUCCESS

- 1998年4月 成立杭州精峰轴承有限公司
Apr, 1998 Hangzhou Jing Feng Bearing Co.,Ltd. Incorporated
- 2000年6月 通过ISO9000:2000质量管理体系认证
Jun, 2000 Through ISO9000:2000 Quality Management System Certification
- 2002年10月 成立杭州雷迪克汽车部件制造有限公司
Oct, 2002 Hangzhou Radical Automobile Parts Industrial Co.,Ltd. Incorporated
- 2002年12月 被萧山区政府授予“优势成长型工业企业”称号
Dec, 2002 Radical was awarded the "dvantage of the Growth of Industrial Enterprise" title by the Xiaoshan District Government ,Hangzhou City.
- 2004年3月 三叉万向节项目成功进入OE配套
Mar, 2004 Radical's Tripod Universal Joint project supplied to OE market successfully .
- 2004年8月 轮毂轴承项目成功进入OE配套
Aug, 2004 Radical's Wheel bearing project supplied to OE market successfully .
- 2005年1月 搬迁至新厂房,占地面积40000平方米
Jan, 2005 Radical relocated to the new plant covering an area of 40000 square meters.
- 2005年4月 分离轴承项目成功进入OE配套
Apr, 2005 Radical's Clutch Release Bearing project supplied to OE market successfully .
- 2005年12月 公司销售额突破1亿元人民币
Dec, 2005 Radical's Gross Sales exceeded RMB 100 million.
- 2007年12月 被认定为“浙江省高新技术企业、浙江省外商投资先进技术企业”
Dec, 2007 Radical was approved as High-tech enterprise and Foreign-invested advantaged technology enterprise in Zhejiang Province.
- 2008年12月 被认定为国家高新技术企业
Dec, 2008 Radical was approved as the National High-tech enterprise.
- 2008年12月 被授予“萧山区百强企业”称号
Dec, 2008 Radical was awarded the title of " the top 100 enterprises in Xiaoshan District"
- 2008年12月 成立萧山区级技术中心
Dec, 2008 Radical set up technology center of Xiaoshan district degree
- 2009年11月 通过TS16949:2002质量管理体系认证
Nov, 2009 Through the TS16949: 2002 Quality Management System Certification
- 2010年7月 被列为杭州市重点培育的500家中小型成长型企业
Jul, 2010 Radical was classified as one of the 500 small and medium-sized growing enterprises which were focusing cultivated by Hangzhou city.